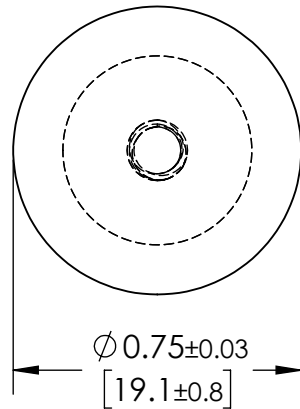
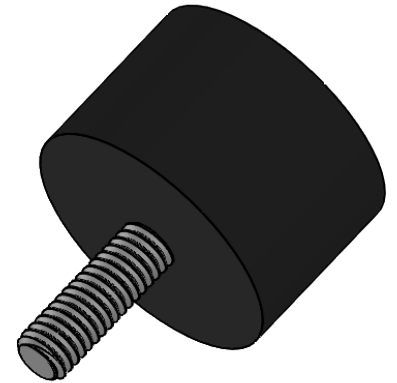
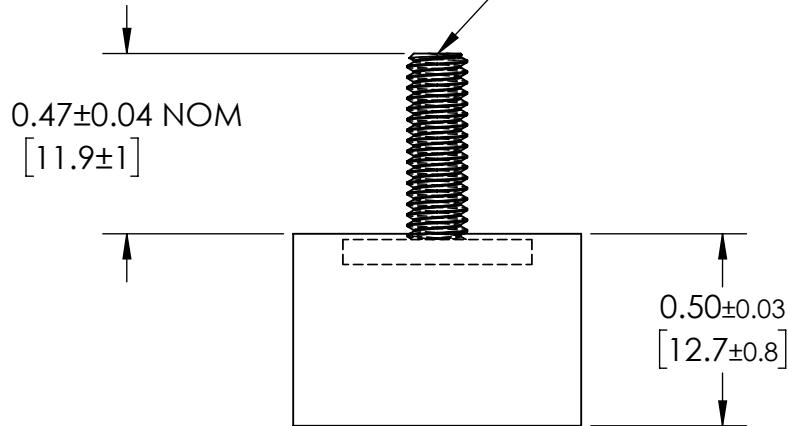


RM00300111  
 M4 THREADED, MALE INSERT  
 ZINC-PLATED STEEL  
 PRIME BEFORE CASTING



NOTE: PARTS MAY HAVE AIR BUBBLES IN SHARP CORNERS

MATERIAL: SORBOTHANE, BLACK, 50 ± 5 DUROMETER

NAME		DATE	<b>SORBOTHANE, INC.</b>
DRAWN BY	ROBERT	4/14/15	
DIMENSIONS ARE IN INCHES TOLERANCES UNLESS OTHERWISE SPECIFIED: ANGULAR ±0.5 DEGREES TWO PLACE DECIMAL ±0.030 <b>PROPRIETARY AND CONFIDENTIAL</b> THE INFORMATION CONTAINED IN THIS DRAWING IS THE SOLE PROPERTY OF SORBOTHANE, INC. ANY REPRODUCTION IN PART OR AS A WHOLE WITHOUT THE WRITTEN PERMISSION OF SORBOTHANE, INC. IS PROHIBITED.			STANDARD PARTS
DO NOT SCALE DRAWING			SORBOTHANE PART NO. 0510412-50-10 <b>A</b> DWG. NO. 0510412-50 REV.