



## EXTREME ALL METAL MOUNTS



- Damps Very Low Frequencies.
- Temperature Range -180°C ~ 150°C.
- Compact Design, From Just 6mm In Height.
- Full Mil-Spec

Ideal for light electronics under severe climatic conditions. All Metal Multi-Directional Mount. Combined Shock & Vibration Isolation from 15-20Hz.

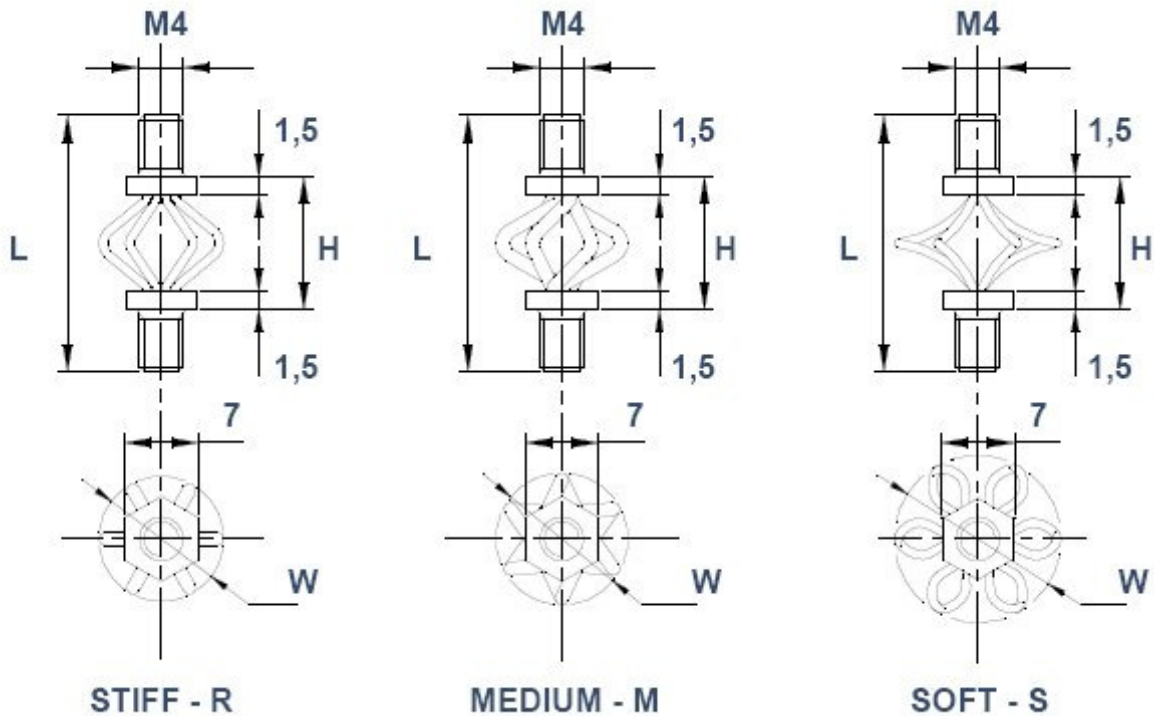
Extreme All Metal Mounts suit loads from just 200g. Ideal for high shock and temperature requirements. Exceptional reliability and long life. No ageing. Standard stud mount configuration. Ideal for PCB's, HDD's and other small components in severe environments.

Typical shock specifications: Ground force: Mil-STD 810, EG 13 A, SEFT001, VG95332. Marine: Mil-S-167, Mil-S-901. Air: Mil-E 5400, Mil C-172, Mil-STD-180.

See our other stud mount products:

Small Soft Stud Mounts  
Soft Gel Stud Mounts

### Dimensional Data



Gelmecc UK

Marcom House, 1-2 Steam Mill Lane, Great Yarmouth, Norfolk, NR31 0HP

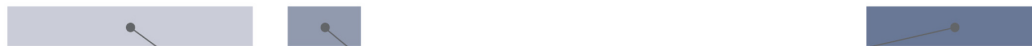
Telephone: +44(0) 1493 668622 Fax: +44(0) 1493 668623

Email: sales@gelmecc.co.uk Website: www.gelmecc.co.uk

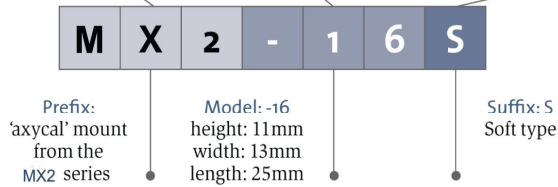


## EXTREME ALL METAL MOUNTS

Series	Model				Stiffness	
Materials and finishes (meets RoHS requirements)		height h (mm)	width w (mm)	length l (mm)	type	
MX2 Cable: stainless steel Interfaces: stainless steel	-6	6	5	20	Soft	S
	-10	8	8	22		
	-13	10	10	24	Medium	M
	-16	11	13	25		
					Stiff	R



Example  
MX2-16S



### Gelmecc UK

Marcom House, 1-2 Steam Mill Lane, Great Yarmouth, Norfolk, NR31 0HP

Telephone: +44(0) 1493 668622 Fax: +44(0) 1493 668623

Email: sales@gelmecc.co.uk Website: www.gelmecc.co.uk