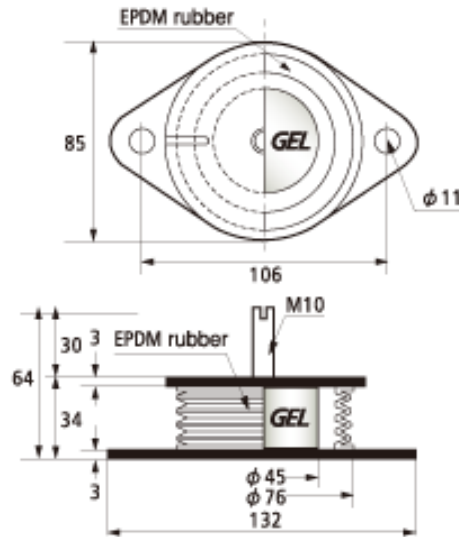




SF-30 / SF-50 SOFT SILICONE GEL MOUNTS



[Features]

- Unlike rubbers, its softness eliminates low frequency vibration.
- Performs widely from -20°C up to 90°C.
- Damps vibrations on four legged subject load from 100Kg up to 300Kg.
- Ozone resistant, UV resistant and chemically resistant. Good for outside use.
- One-Piece Type with Bottom Plat and Top Bolt.

[Damping Performance]

Item	Optimum Load	Resonance Point	Resonance Magnification	Recommended Frequency
SF-30	100 ~ 140Kg / 4 legs	8 ~ 9Hz	18 ~ 19dB	13Hz~
SF-50	120 ~ 300Kg / 4 legs	10 ~ 15Hz	12 ~ 18dB	15Hz~

[Applications]

- Pump, Compressor.
- Manufacturing Equipment.
- Precision Equipment.

[Cautions]

- Insulator shall be used in compressive direction.
- Insulators shall be evenly loaded.
- Insulator becomes compressed in use due to subject load.
- Data or values above are not guaranteed. Subject to change without prior notice.

Gelmecc UK

Marcom House, 1-2 Steam Mill Lane, Great Yarmouth, Norfolk, NR31 0HP

Telephone: +44(0) 1493 668622 Fax: +44(0) 1493 668623

Email: sales@gelmecc.co.uk Website: www.gelmecc.co.uk