



PCB MOUNTING ELEMENTS

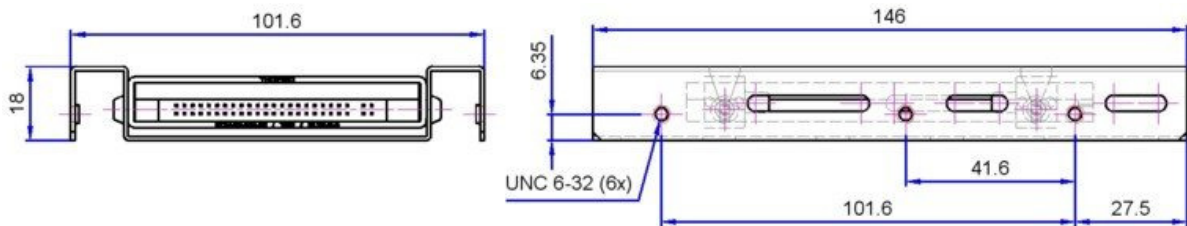
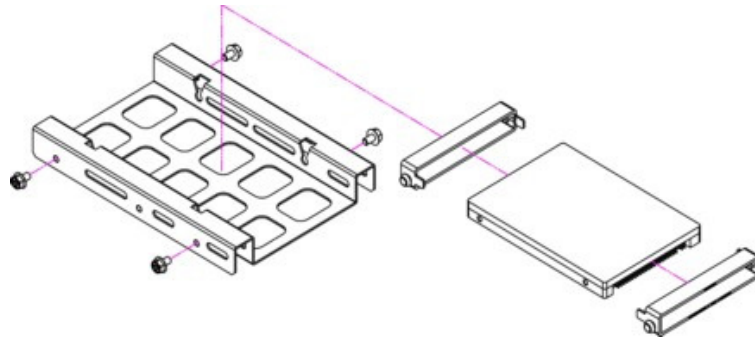
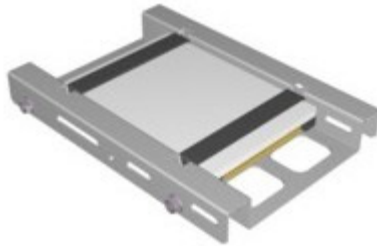
3.5" Mounting Frame Set – EBR-SET-350

Mounting:

The 3.5" Mounting Frame Set can be attached with four standard UNC-6-32 screws into any 3.5" slot.

Set Consists Of:

- 3.5" Mounting Frame
- 2 x HDD Sleeves
- 4 x Screws UNC-6-32



Gelmecc UK

Marcom House, 1-2 Steam Mill Lane, Great Yarmouth, Norfolk, NR31 0HP

Telephone: +44(0) 1493 668622 Fax: +44(0) 1493 668623

Email: sales@gelmecc.co.uk Website: www.gelmecc.co.uk



PCB MOUNTING ELEMENTS

HDD Sleeves

Material Properties:

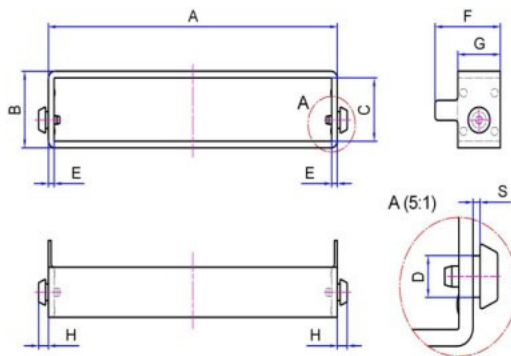
- Thermoplastic Elastomer
- RoHS Compliant
- ca. 70 Shore A

Description:

Eliminate transmission of vibrations from the hard disk to the housing & reduced noise.

Fast, simple and safe screw less mounting & re-mounting of hard disk.

Protects the hard disk against vibrations and thus increased lifetime.



Ordering Information	HDM	25	095	10 or 20
Size A = HD width +2 x E +0.5 At 2.5" = HD width 69.85mm At 3.5" = HD width 101.6mm	Part	Hard Disk Type: 25 = 2.5" 35 = 3.5"	Hard Disk Height Size C in 1/10mm	10 = for plate thickness from 0.75 – 1.25 mm 20 = for plate thickness from 1.50 – 2.50 mm

Part No.	A	B	C	D	E	F	G	H	S	Plate Thickness
HDM-25-095-10	73.4*	12.5	9.5	5.0	1.5	16.0	10.0	3.5	1.0	0.75 ~ 1.25
HDM-25-095-20	73.4*	12.5	9.5	5.0	1.5	16.0	10.0	4.5	2.0	1.5 ~ 2.5
HDM-35-254-10	106.1*	29.4	25.4	6.0	2.0	23.0	15.0	3.5	1.0	0.75 ~ 1.25
HDM-35-254-20	106.1*	29.4	25.4	6.0	2.0	23.0	15.0	4.5	2.0	1.5 ~ 2.5

All Dimensions in mm - Other HDD sleeve dimensions available upon request

*Refers to size after the sleeve has been attached.

Gelmecc UK

Marcom House, 1-2 Steam Mill Lane, Great Yarmouth, Norfolk, NR31 0HP

Telephone: +44(0) 1493 668622 Fax: +44(0) 1493 668623

Email: sales@gelmecc.co.uk Website: www.gelmecc.co.uk



PCB MOUNTING ELEMENTS

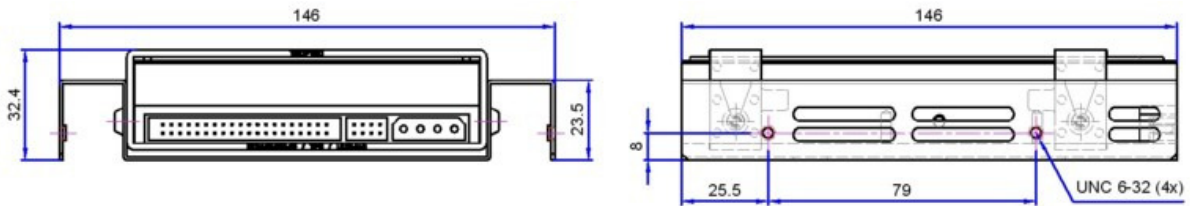
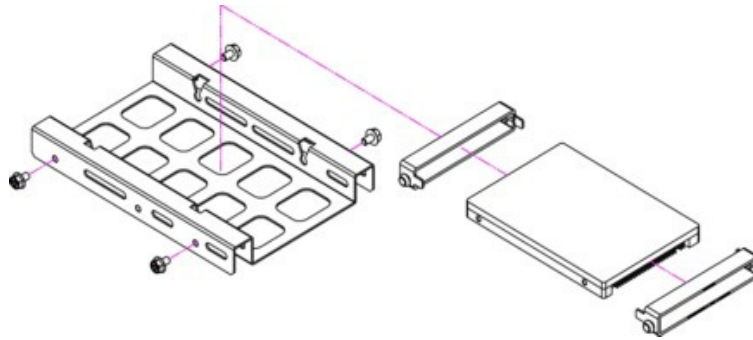
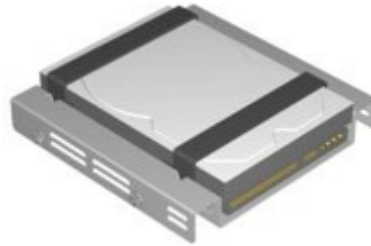
5.25" Mounting Frame Set – EBR-SET-525

Mounting:

The 5.25" Mounting Frame Set can be attached with four standard UNC-6-32 screws into any 5.25" slot.

Set Consists Of:

- 5.25" Mounting Frame
- 2 x HDD Sleeves
- 4 x Screws UNC-6-32



Gelmecc UK

Marcom House, 1-2 Steam Mill Lane, Great Yarmouth, Norfolk, NR31 0HP

Telephone: +44(0) 1493 668622 Fax: +44(0) 1493 668623

Email: sales@gelmecc.co.uk Website: www.gelmecc.co.uk



PCB MOUNTING ELEMENTS

3.5" Mounting Frame Set – EBR-SET-350-L

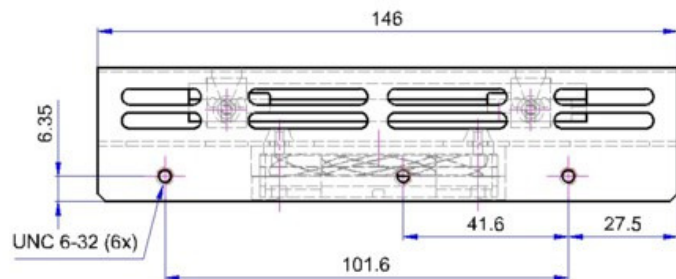
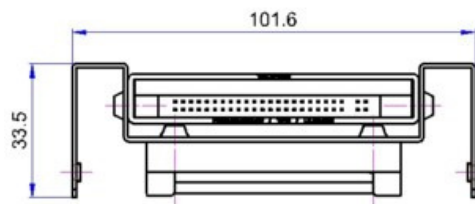
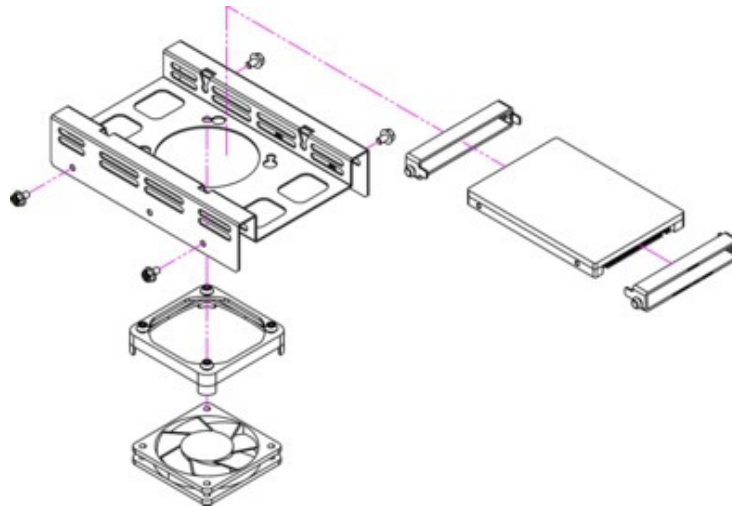
Mounting:

The 3.5" Mounting Frame Set can be attached with four standard UNC-6-32 screws into any 3.5" slot.

Attention: This Frame Set Requires The Space of Two Free 3.5" HDD Slots.

Set Consists Of:

- 3.5" Mounting Frame
- 2 x HDD Sleeves
- 1 x Fan Sleeve
- 1 x DC12V Fan 60x10



Gelmecc UK

Marcom House, 1-2 Steam Mill Lane, Great Yarmouth, Norfolk, NR31 0HP

Telephone: +44(0) 1493 668622 Fax: +44(0) 1493 668623

Email: sales@gelmecc.co.uk Website: www.gelmecc.co.uk



PCB MOUNTING ELEMENTS

5.25" Mounting Frame Set – EBR-SET-525-L

Mounting:

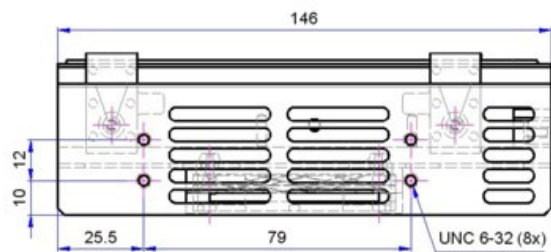
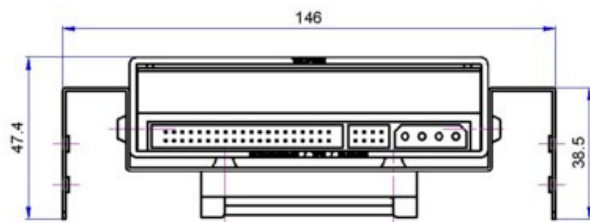
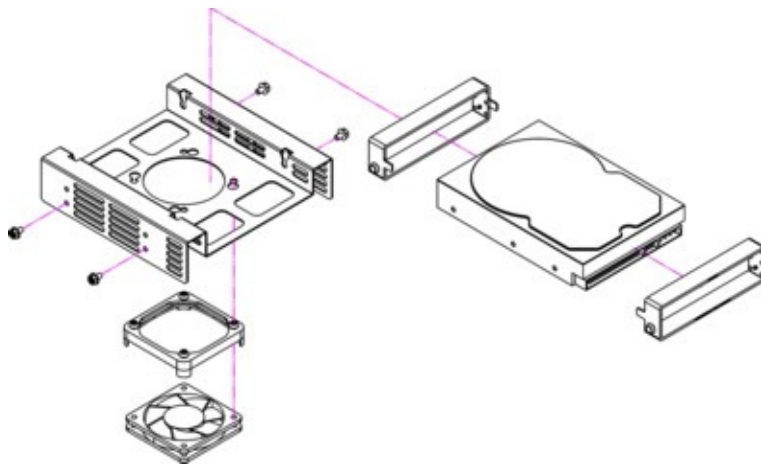
The 5.25" Mounting Frame Set can be attached with four standard UNC-6-32 screws into any 5.25" slot.

Attention: This Frame Set Requires The Space of Two Free 5.25" HDD Slots.



Set Consists Of:

- 5.25" Mounting Frame
- 2 x HDD Sleeves
- 1 x Fan Sleeve
- 1 x DC12V Fan 60x10
- 4 x Screws UNC-6-32



Gelmecc UK

Marcom House, 1-2 Steam Mill Lane, Great Yarmouth, Norfolk, NR31 0HP

Telephone: +44(0) 1493 668622 Fax: +44(0) 1493 668623

Email: sales@gelmecc.co.uk Website: www.gelmecc.co.uk