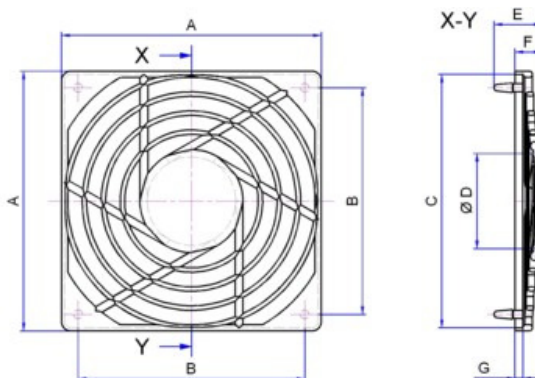




GUARD GRILLS



Material: Plastic
 Colour: Black
 Fire Resistance: UL94 V2



Ordering Information	SG	40	01	Type 01 = Size A as small as possible. Type 02 = Size A larger to ensure hole layout 3 is completely visible through grill.
	Part	Fan Size A	Type Code	

Part Number	A	B	C	D	E	F	G
SG-40-01	42	32	40	18	12.6	7.5	2.5
SG-40-02	46	32	40	18	12.6	7.5	2.5
SG-60-01	62	50	60	27	15.1	8.5	2.5
SG-60-02	66	50	60	27	15.1	8.5	2.5
SG-80-01	82	71.5	80	30	15.1	8.5	2.5
SG-80-02	89	71.5	80	30	15.1	8.5	2.5
SG-92-01	94	82.5	92	30	15.1	8.5	2.5
SG-92-02	101	82.5	92	30	15.1	8.5	2.5
SG-119-01	121	105	119	42	16.6	9.0	3.0
SG-119-02	128	105	119	42	16.6	9.0	3.0

All Dimensions in mm

Gelmecc UK
 Marcom House, 1-2 Steam Mill Lane, Great Yarmouth, Norfolk, NR31 0HP
 Telephone: +44(0) 1493 668622 Fax: +44(0) 1493 668623
 Email: sales@gelmecc.co.uk Website: www.gelmecc.co.uk