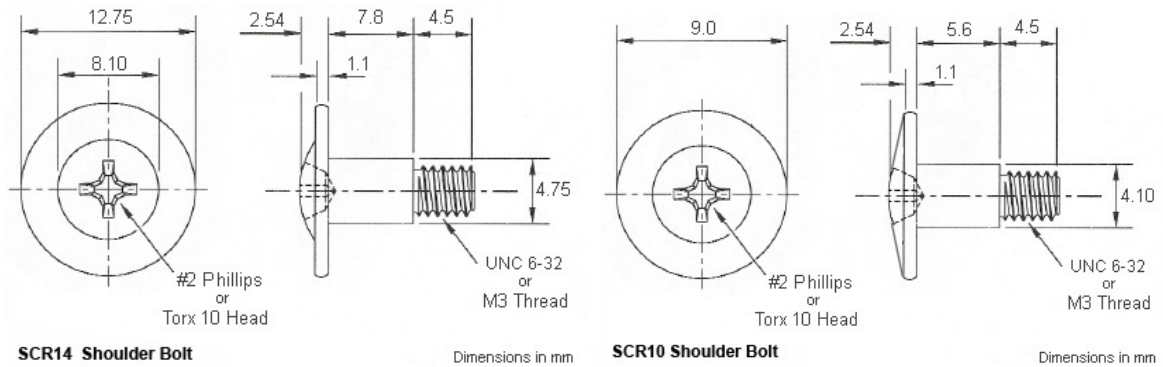




GROMMET MOUNTING ACCESSORIES



A one piece-fixing bolt can replace a three-part assembly of screw, washer and tube. Designed to give optimum compression to our range of dampers. The threads are suitable for screwing directly into a HDD. Available in UNC 6-32 or M3 thread.



Part Number	Compatible Bolt / Insert
GVD – 10 Series	SCR10 with M4 Insert
GVD – 14 Series	SCR14 with M4 Insert
VB1209-80	SCR14 with M4 Insert
VB1209-90V	SCR14 with M4 Insert

M4 Insert

