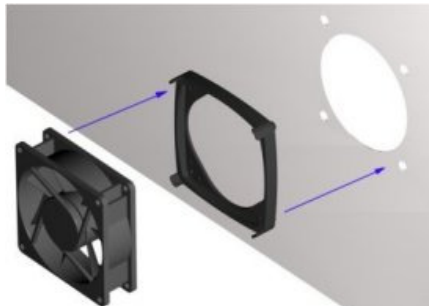




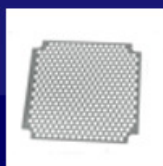
## FAN SLEEVES



- Thermoplastic Elastomer.
- RoHS Compliant.
- Ca. 70 Shore A.

Fan Sleeves eliminate transmission of vibrations from the fan housing & reduced noise (up to 9db). For fast, simple and safe screw less mounting & re-mounting of fans. Sleeves protects the fan against vibrations and thus increased lifetime.

### Fan Sleeve Accessories



EMI / RFI Filter



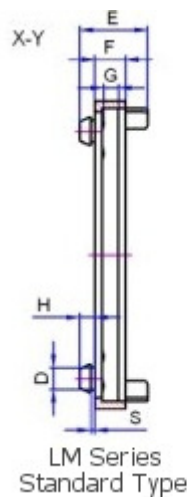
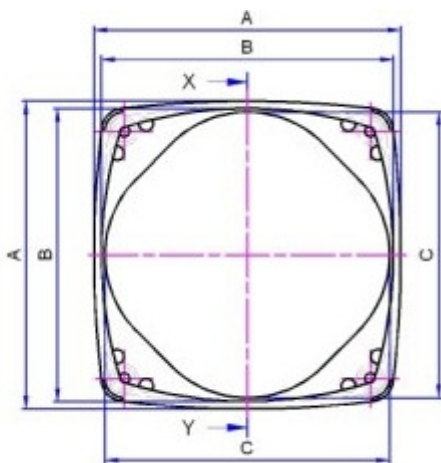
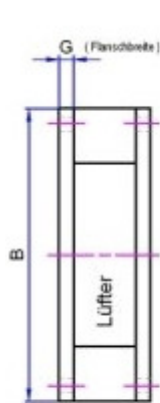
Guard Grill



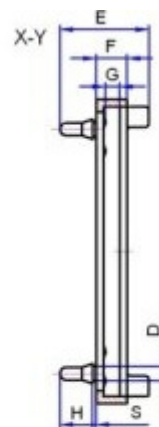
Lamela Rivet



Dust Filter



LM Series Standard Type



SLM Series Plug Type

Ordering Information	LM / SLM Standard Type / Plug Type	40 Fan Size Dimension B	20 Fan Flange Thickness Size. Dimension G	10 or 20 10 = for plate thickness from 0.75 – 1.25 mm 20 = for plate thickness from 1.50 – 2.50 mm	F Type F = with free edges

### Gelmecc UK

Marcom House, 1-2 Steam Mill Lane, Great Yarmouth, Norfolk, NR31 0HP

Telephone: +44(0) 1493 668622 Fax: +44(0) 1493 668623

Email: sales@gelmecc.co.uk Website: www.gelmecc.co.uk



## FAN SLEEVES

### Standard Type:

Part No.	A	B	C	D	E	F	G	H	S	Plate Thickness
LM-40-20-10-F	43	40	38	4.5	14.75	5.25	2.0	3.5	1.0	0.75 ~ 1.25
LM-40-20-20-F	43	40	38	4.5	15.75	2.25	2.0	4.5	2.0	1.5 ~ 2.5
LM-60-30-10	64	60	58	5.0	17.5	7.5	3.0	4.0	1.0	0.75 ~ 1.25
LM-60-30-20	64	60	58	5.0	18.5	7.5	3.0	5.0	2.0	1.5 ~ 2.5
LM-60-30-10-F	64	60	58	5.0	17.5	7.5	3.0	4.0	1.0	0.75 ~ 1.25
LM-60-30-20-F	64	60	58	5.0	18.5	7.5	3.0	5.0	3.0	1.5 ~ 2.5
LM-80-40-10	84	80	77	5.8	18.5	8.5	4.0	4.0	1.0	0.75 ~ 1.25
LM-80-40-20	84	80	77	5.8	19.5	8.5	4.0	5.0	2.0	1.5 ~ 2.5
LM-80-50-10	84	80	77	5.8	20.5	9.5	5.0	4.0	1.0	0.75 ~ 1.25
LM-80-50-20	84	80	77	5.8	21.5	9.5	5.0	5.0	2.0	1.5 ~ 2.5
LM-92-40-10	97	92	89	6.0	19.5	9.5	4.0	4.0	1.0	0.75 ~ 1.25
LM-92-40-20	97	92	89	6.0	20.5	9.5	4.0	5.0	2.0	1.5 ~ 2.5
LM-92-50-10	97	92	89	6.0	21.5	10.5	5.0	4.0	1.0	0.75 ~ 1.25
LM-92-50-20	97	92	89	6.0	22.5	10.5	5.0	5.0	2.0	1.5 ~ 2.5
LM-119-40-10	125	119	116	8.0	22.0	9.5	4.0	4.5	1.0	0.75 ~ 1.25
LM-119-40-20	125	119	116	8.0	23.0	9.5	4.0	5.5	2.0	1.5 ~ 2.5
LM-119-50-10	125	119	116	8.0	24.0	10.5	5.0	4.5	1.0	0.75 ~ 1.25
LM-119-50-20	125	119	116	8.0	25.0	10.5	5.0	5.5	2.0	1.5 ~ 2.5
LM-119-60-10	125	119	116	8.0	26.0	11.5	6.0	4.5	1.0	0.75 ~ 1.25
LM-119-60-20	125	119	116	8.0	27.0	11.5	6.0	5.5	2.0	1.5 ~ 2.5

All dimensions mm - Other sleeves / dimensions upon request

### Plug Type:

Part No.	A	B	C	D	E	F	G	H	S	Plate Thickness
SLM-40-20-10-F	43	40	38	4.0	20.0	5.25	2.0	8.0	0.75	0.75 ~ 1.25
SLM-40-20-20-F	43	40	38	4.0	20.75	5.25	2.0	8.0	1.5	1.5 ~ 2.5
SLM-60-30-10	64	60	58	4.0	23.25	7.5	3.0	9.0	0.75	0.75 ~ 1.25
SLM-60-30-20	64	60	58	4.0	24.0	7.5	3.0	9.0	1.5	1.5 ~ 2.5
SLM-60-30-10-F	64	60	58	4.0	23.25	7.5	3.0	9.0	0.75	0.75 ~ 1.25
SLM-60-30-20-F	64	60	58	4.0	24.0	7.5	3.0	9.0	1.5	1.5 ~ 2.5
SLM-80-40-10	84	80	77	4.0	24.25	8.5	4.0	9.0	0.75	0.75 ~ 1.25
SLM-80-40-20	84	80	77	4.0	25.0	8.5	4.0	9.0	1.5	1.5 ~ 2.5
SLM-80-50-10	84	80	77	4.0	25.25	9.5	5.0	9.0	0.75	0.75 ~ 1.25
SLM-80-50-20	84	80	77	4.0	26.0	9.5	5.0	9.0	1.5	1.5 ~ 2.5
SLM-92-40-10	97	92	89	4.0	26.25	9.5	4.0	9.0	0.75	0.75 ~ 1.25
SLM-92-40-20	97	92	89	4.0	27.0	9.5	4.0	9.0	1.5	1.5 ~ 2.5
SLM-92-50-10	97	92	89	4.0	27.25	10.5	5.0	9.0	0.75	0.75 ~ 1.25
SLM-92-50-20	97	92	89	4.0	28.0	10.5	5.0	9.0	1.5	1.5 ~ 2.5
SLM-119-40-10	125	119	116	4.0	28.25	9.5	4.0	10.0	0.75	0.75 ~ 1.25
SLM-119-40-20	125	119	116	4.0	29.0	9.5	4.0	10.0	1.5	1.5 ~ 2.5
SLM-119-50-10	125	119	116	4.0	29.25	10.5	5.0	10.0	0.75	0.75 ~ 1.25
SLM-119-50-20	125	119	116	4.0	30.0	10.5	5.0	10.0	1.5	1.5 ~ 2.5
SLM-119-60-10	125	119	116	4.0	30.25	11.5	6.0	10.0	0.75	0.75 ~ 1.25
SLM-119-60-20	125	119	116	4.0	31.0	11.5	6.0	10.0	1.5	1.5 ~ 2.5

All dimensions mm - Other sleeves / dimensions upon request

### Gelmecc UK

Marcom House, 1-2 Steam Mill Lane, Great Yarmouth, Norfolk, NR31 0HP

Telephone: +44(0) 1493 668622 Fax: +44(0) 1493 668623

Email: sales@gelmecc.co.uk Website: www.gelmecc.co.uk